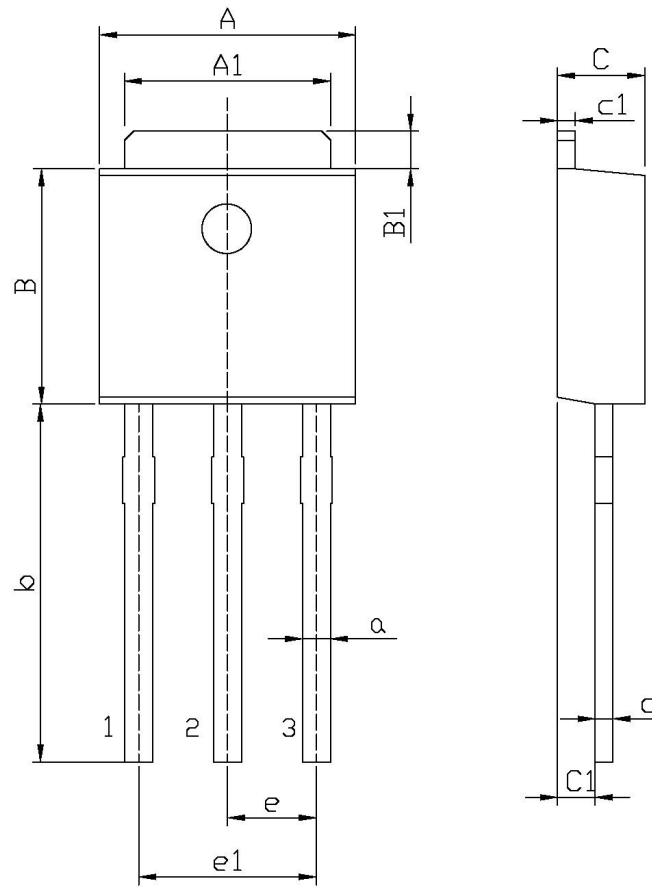




TO-251 外形尺寸图



单位: mm

| Symbol | Dimensions In Millimeters | | Symbol | Dimensions In Millimeters | |
|--------|---------------------------|------|--------|---------------------------|------|
| | Min | Max | | Min | Max |
| A | 6.45 | 6.75 | a | 0.50 | 0.90 |
| A1 | 5.10 | 5.50 | b | 9.00 | 9.40 |
| B | 5.95 | 6.25 | c | 0.45 | 0.55 |
| B1 | 0.95 | 1.25 | c1 | 0.45 | 0.55 |
| C | 2.20 | 2.40 | e | 2.24 | 2.34 |
| C1 | 0.95 | 1.15 | e1 | 4.43 | 4.73 |

TO-251

Rev.02 202112